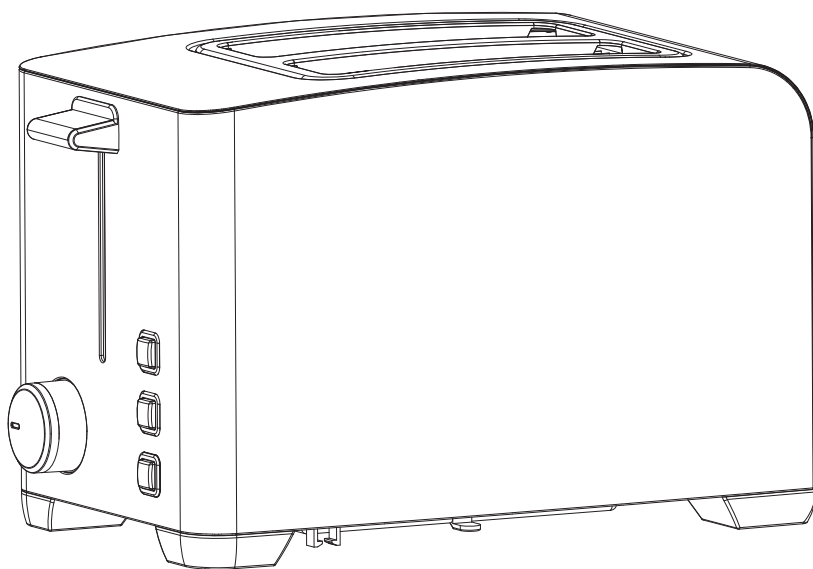


FREIHAFEN



Toaster

Instruction Manual

Dear customer,

please read these Operating Instructions through carefully before connecting your device to the mains, in order to avoid damage due to incorrect use. Please pay particular attention to the safety information. If you pass the device on to a third party, these Operating Instructions must also be handed over.



CAUTION:

The unit becomes hot during operation!

Important security measures

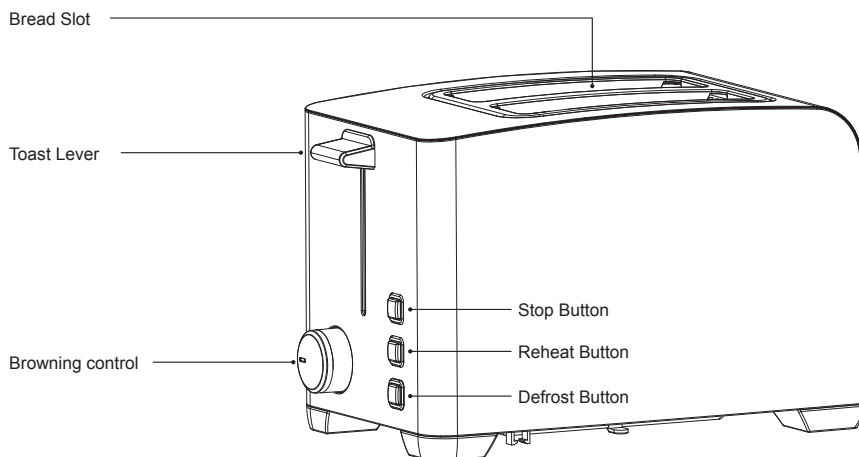
1. The toaster becomes hot during operation, do not touch hot surfaces. Use handles or knobs.
2. Unplug the appliance from the wall outlet when not in use or before cleaning.
3. If the power cord or appliance is damaged, it must be repaired by the manufacturer or a service technician or similar qualified person.
4. Use this product for toasting only.
5. This product is for personal use only.
6. No liability will be accepted for improper use.
7. Use the toaster for the first time without bread. It will smell something first, that is normal.
8. Do not run the cable or other objects through the openings while the toaster is in operation.
9. Do not remove any food while the toaster is in operation.
10. Do not operate the appliance with an external timer or a separate remote control.

Before using the unit for the first time

1. Remove all packing materials and transport locks.
2. Make sure that all the above accessories have been supplied.
3. Ensure that all components are properly assembled and that the unit is securely positioned
4. Ensure that there is enough space between the toaster and the wall or other equipment as the toaster becomes hot during operation.
5. Connect the device with the connection cable (220-240V 50/60 Hz).
6. Before using the toaster for the first time, toast without bread.

Cleaning and care

1. Allow the appliance to cool down before cleaning.
2. Always switch off the appliance before cleaning and unplug it from the wall socket.
3. Do not immerse the appliance and power cord in water or other liquids and do not wash them in a dishwasher.
4. Wipe the toaster with a damp cloth and a little detergent. Do not use abrasives, steel wool, metal objects, hot detergents or disinfectants as they may damage the surface.
5. Remove crumbs and small pieces of bread from the crumb drawer regularly.
Pull out the side crumb drawer completely and empty it. Wipe the crumb drawer with a damp cloth, dry it thoroughly and push it back into the appliance.
6. The appliance must be completely dry before re-use.



Technical Specifications

POWER	220-240V 50/60HZ 750-850W
POWER CORD	Approx. 75 cm
HOUSING	stainless steel
4 FUNCTIONS	Toasting, reheat, defrosting, stop



Disposal

Do not dispose of the device in normal domestic waste.

Dispose of the device over a registered waste disposal firm or through your communal waste disposal facility. Observe the currently valid regulations. In case of doubt, consult your waste disposal facility.

FREIHAFEN

Simply enjoying life



If you have any question with the product, please contact us with Email or Telephone, we will find a satisfied solution for you.



Email

Service@Freihafen.shop

Website

www.Freihafen.shop

Phone

0049-040-69638976-8

EU

Vertreter

STEO GmbH, Ludwig-Erhard-Straße 18, D-20459, Hamburg (Adresse ist nicht für Retourware)